

GRAS 46BD-S1

1/4" CCP Pressure Standard Microphone Set with SMB connector



Freq range: 4 Hz to 70 kHz
Dyn range: 44 dB(A) to 166 dB
Sensitivity: 1.45 mV/Pa

The 46BD-S1 is a 1/4" CCP microphone set for pressure measurements. It is terminated with a SMB connector.

Introduction

Through a close cooperation with our customers, we know that data-safety is highly important because the costs related to unsuited and unreliable sensors may determine whether your project turns into a success or not.

For our users, data safety translates directly into requests for easier microphone selection, simple system configuration and reduction of measurement errors.

To meet these requirements, we invented the microphone set concept. It is simple, reliable and robust and consists of a microphone cartridge and preamplifier combination, which is calibrated as one unit. This eliminates errors because there is only one sensitivity value to account for and the risk of contaminating the interface is eliminated. Combine this with our unique and proven design and you have the most reliable measurement microphone sets available in the industry today.

Typical applications and use

The 46BD-S1 is ideal for sound pressure measurements, as well as high frequency and high level pressure measurements. It is suitable for general purpose acoustic measurements in couplers and at boundaries.

Regarding temperature range, see the Specifications. Should higher temperature limits be required, we recommend considering the GRAS probe microphones where the microphone and preamplifier can be isolated from the hot source.

Design

The GRAS 46BD-S1 is a high-performance standard microphone set. In our clean-room environment the set is assembled and sealed with a label. However, the microphone set can be dismantled, if you wish

to use the components separately.

Microphone

The microphone cartridge is the high-quality IEC 61094 WS3P standardized [GRAS 40BD](#) 1/4" Prepolarized Pressure Microphone, designed for long-term reliability in multiple environments.

Preamplifier

The preamplifier is the [GRAS 26CC](#) Preamplifier which is inclusive TEDS and based on our well-known circuit board substrates. In the industry these are famous for their low self-noise, wide frequency and excellent slew rate performance.

Compatibility

To perform as specified the GRAS 46BD-S1 microphone set requires a constant current input module that can deliver 4 mA and 24 V unloaded CCP voltage supply. If the constant current supply is lower, the capability of driving long cables is reduced and consequently the upper frequency is reduced. If the voltage supply is lower it will influence the upper dynamic range.

The microphone set is terminated with a SMB connector. Ready to use coax cable assemblies of various types and lengths are available in standard as well as customized lengths.

The 46BD-S1 is IEEE 1451.4 TEDS v. 1.0 compliant. If your measurement platform supports Transducer Electronic Data Sheets you will be able to read and write data like properties and calibration data.

System verification

The functionality of TEDS is very useful to determine which microphone is connected to which input channel. However, it is not a check of whether the microphone is within specifications or not. For daily verification and check of your measurement setup, we therefore recommend using a sound source like

the [GRAS 42AG](#) Sound Calibrator.

For proper sensitivity calibration we recommend using a reference sound source like the [GRAS 42AP](#) Intelligent Pistonphone.

GRAS HALT

When our R&D team develops a measurement microphone, it must undergo the most demanding tests to prove that it can withstand our customers' daily test conditions. Using a series of Highly Accelerated Lifetime Tests (HALT) we ensure that our microphones live up to the high quality and precision that our customers have come to expect and trust. Our HALT tests actively accelerate the lifetime of a microphone by simulating the handling and use it is exposed to in real life situations.

For more about HALT, see <https://www.grasacoustics.com/globalsupport/quality/halt>

Service

Should you by mistake damage the diaphragm on a GRAS microphone we will in most cases be able to exchange it at a very reasonable cost and short turn-around time. This not only protects your investment but also meets your quality assurance department since you do not have to worry about new serial numbers etc.

Calibration

When leaving the factory, all GRAS microphones have been calibrated in a controlled laboratory environment using traceable calibration equipment. Depending on the use, measurement environment and internal quality control programs we recommend that the microphone is recalibrated at least once a year.

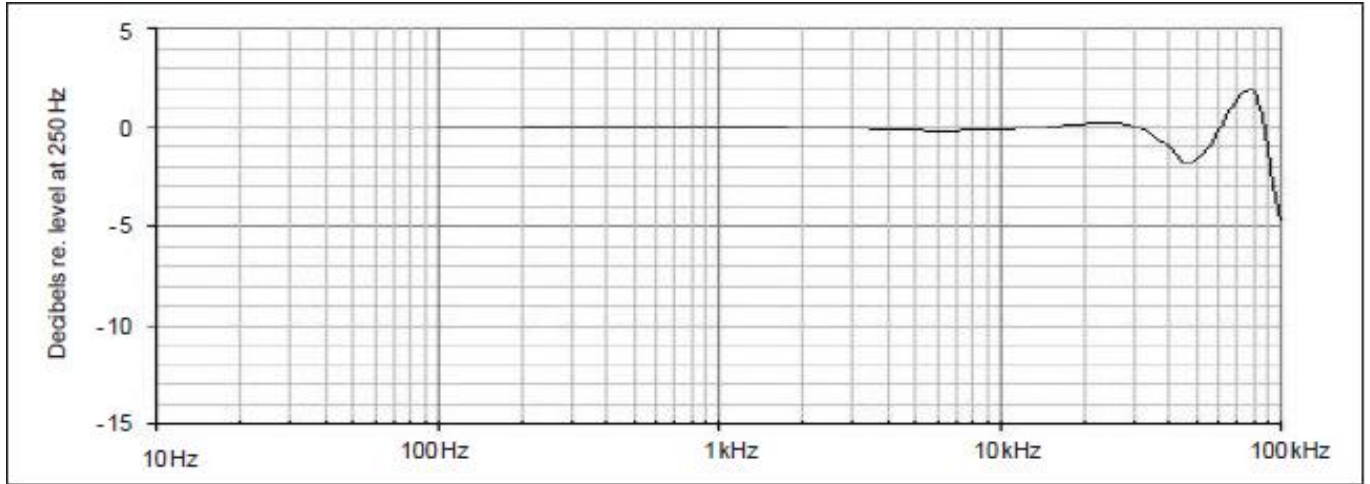
Quality and warranty

GRAS microphone sets are made of components from our proven standard portfolio and are all manufactured of high-quality material and branded parts that were chosen and processed to ensure life-long stability and robustness.

All parts are manufactured and assembled at the factory in Denmark by skilled and dedicated operators in a verified clean-room environment. The microphone diaphragm, body and unique protection grid are made of high-grade stainless steel and make the microphone set resistant to physical damage as well as corrosion caused by aggressive air or gasses.

This, together with the enforced gold-plated microphone terminal guarantees a highly reliable connection. Thanks to the high quality, our warranty against defective materials and workmanship is 5 years.

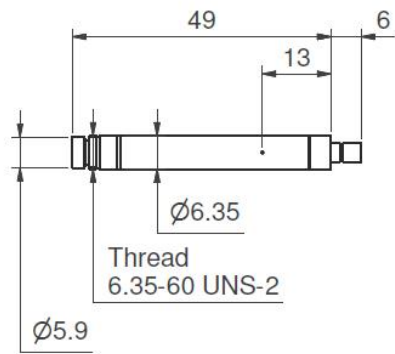
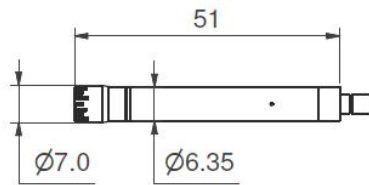
Polarization/Connection		0 V / CCP
Frequency range (± 1 dB)	Hz	10 to 25 k
Frequency range (± 2 dB)	Hz	4 to 70 k
Dynamic range lower limit with GRAS preamplifier	dB(A)	44
Dynamic range upper limit with GRAS CCP preamplifier	dB	168
Set sensitivity @ 250 Hz (± 3 dB)	mV/Pa	1.45
Set sensitivity @ 250 Hz (± 3 dB)	dB re 1V/Pa	-57
Output impedance	Ω	<50
Output Voltage Swing, min. @ 24-28 V CCP voltage supply	Vp	8
Power supply min. to max.	mA	2 to 20
Power supply min. to max. (single/balanced)	V	N/A
DC bias voltage, typ.	V	12
Microphone venting		Rear
IEC 61094-4 Designation		WS3P
Temperature range, operation	$^{\circ}\text{C} / ^{\circ}\text{F}$	-30 to 85 / -22 to 185
Temperature range, storage	$^{\circ}\text{C} / ^{\circ}\text{F}$	-40 to 85 / -40 to 185
Temperature coefficient @250 Hz	dB/ $^{\circ}\text{C}$ / dB/ $^{\circ}\text{F}$	-0.01 / -0.006
Static pressure coefficient @250 Hz	dB/kPa	-0.008
Humidity range non condensing	% RH	0 to 90
Humidity coefficient @250 Hz	dB/% RH	-0.001
Influence of axial vibration @1 m/s ²	dB re 20 μPa	55
TEDS UTID (IEEE 1451.4)		27 v. 1.0
Connector type		SMB
CE/RoHS compliant/WEEE registered		Yes / Yes/Yes
Weight	g / oz	8 / 0.282



Typical frequency response (without protection grid)

GRAS Sound & Vibration reserves the right to change specifications and accessories without notice.

Dimensions in mm



Optional items

GRAS AA0027	3 m SMB - BNC Cable
GRAS AA0082-CL	Customized Length SMB - BNC Cable
GRAS AL0029	1/4" Microphone Holder, POM
GRAS AL0013	1/4" Microphone Holder, Stainless Steel
GRAS AL0005	Swivel head
GRAS AL0006	Tripod
GRAS RA0022	1/4" Nosecone
GRAS AM0071	Windscreen for 1/4" Microphones
GRAS RA0127	Rain-protection cap for 1/4" microphones
GRAS 12AL	1-Channel CCP Power Module with A-weighting filter
GRAS 12AQ	2-Channel Universal Power Module with signal conditioning and PC interface
GRAS 42AG	Multifunction Sound Calibrator, Class 1
GRAS 42AP	Intelligent Pistonphone, Class 0

GRAS Worldwide

Subsidiaries and distributors in more
than 40 countries

HEAD OFFICE, DENMARK GRAS SOUND & VIBRATION

Skovlytoften 33
2840 Holte
Denmark
Tel: +45 4566 4046
www.grasacoustics.com
gras@grasacoustics.com

USA GRAS SOUND & VIBRATION

5750 S.W. Arctic Drive
Beaverton, OR 97005
Tel: 503-627-0832
Toll Free: 800-231-7350
www.grasacoustics.com
sales-usa@grasacoustics.com

CHINA GRAS SOUND & VIBRATION

Room 303, Building T6
Hongqiaohui, 990, Shenchang Road
Minhang District, Shanghai
China, 201106
Tel: +86 21 64203370
www.gras.com.cn
cnsales@grasacoustics.com



ABOUT GRAS SOUND & VIBRATION

GRAS is a worldwide leader in the sound and vibration industry. We develop and manufacture state-of-the-art measurement microphones to industries where acoustic measuring accuracy and repeatability is of utmost importance in R&D, QA and production. This includes applications and solutions for customers within the fields of aerospace, automotive, audiology, and consumer electronics. GRAS microphones are designed to live up to the high quality, durability and accuracy that our customers have come to expect and trust.

GRAS Sound & Vibration