



# WORKSWELL SAFETIS CONTROL UNIT

---

## Datasheet

---

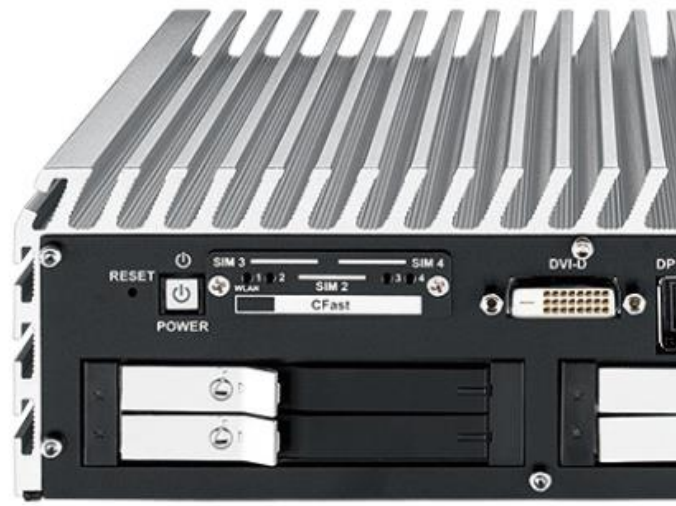
**Release date:** 25<sup>th</sup> of September 2018

**Revision Number:** 1.2

# SAFETIS Control Unit

## Introduction

**SAFETIS Control Unit (SCU)** has been developed for complex early fire detection and protection requiring 24/7 monitoring. This allows you to prevent critical situations and fire hazards that can damage huge amount of company properties and cause unplanned outages. Thanks to advanced SCU features, **all alarms are activated even before any fire starts** thanks to advanced thermal imaging measurements and evaluations in dedicated SAFETIS software. The SCU is available in two versions for **up to 8 or 16 SAFETIS** cameras connected at the same time.



## KEY FEATURES IN CONTROL UNIT

- Up to 16 SAFETIS cameras at the same time
- Specially developed Fire-Safety software
- Real-time streaming of each connected SAFETIS
- **Additional 8 digital alarm outputs**
- Advanced visualization, recording and streaming
- Periodical recording of radiometric images
- Automatic recording of radiometric sequences
- **Recording up to 30 s before, during and after alarm**
- Live graphs based on temperature values
- Position control of any connected Pan-Tilt SAFETIS
- Settings of all parameters of any SAFETIS unit
- **Up to 8 TB of memory** in each Control Unit
- **Advanced DVR functions and temperature analysis**



## Early fire detection and prevention with SAFETIS products

The main usage of the system is a monitoring warehouses or areas where the risk of fire hazard is high. The SCU together with connected **SAFETIS cameras helps to eliminate the risk of fire in real-time**. The SCU together with SAFETIS cameras is not used only for early fire detection but in many facilities and industries such a petrochemical, steel, refining or power industry for **real-time temperature monitoring**, warning and alarming when a temperature exceed set limits. Failure of any part could cause catastrophic consequences that cost millions of EUR and more. **Thermal inspection could be the best way of prevention** and very often the only one. This is the main the reason why the SAFETIS products were designed for real-time monitoring.

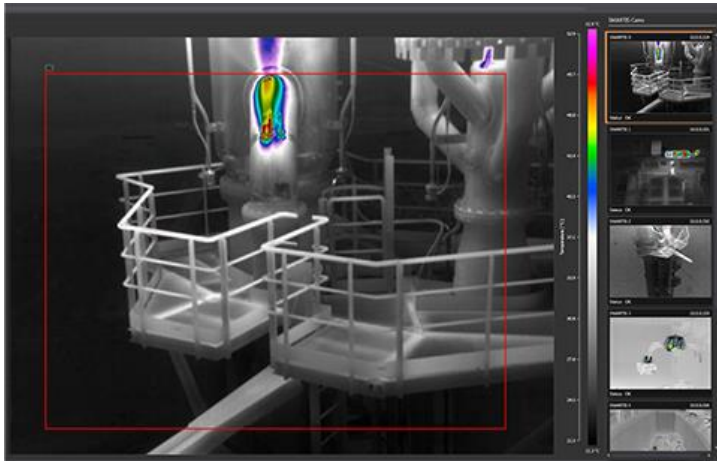


## SCU Connection and settings

SCU is able to detect connected SAFETIS Units (SU) due to the **search tool by IP address**. There can be connected **up to 16 units SAFETIS cameras** no matter if it is ATEX, Stainless Steel, Outdoor and Outdoor PT or Indoor version. The settings of SU and cameras **are very simple** and can be done without necessity of using the web server. User can setup all the parameters via the software application together with specific kind of analysis for each connected SAFETIS camera (ROI (Region Of Interest) like points, lines, rectangular, circles etc., the same as time settings of color pallets, isotherms or temperature ranges or **ADVANCED real-time** calculations to **avoid false alarms** such a trucks, moving objects, reflection materials and objects etc.



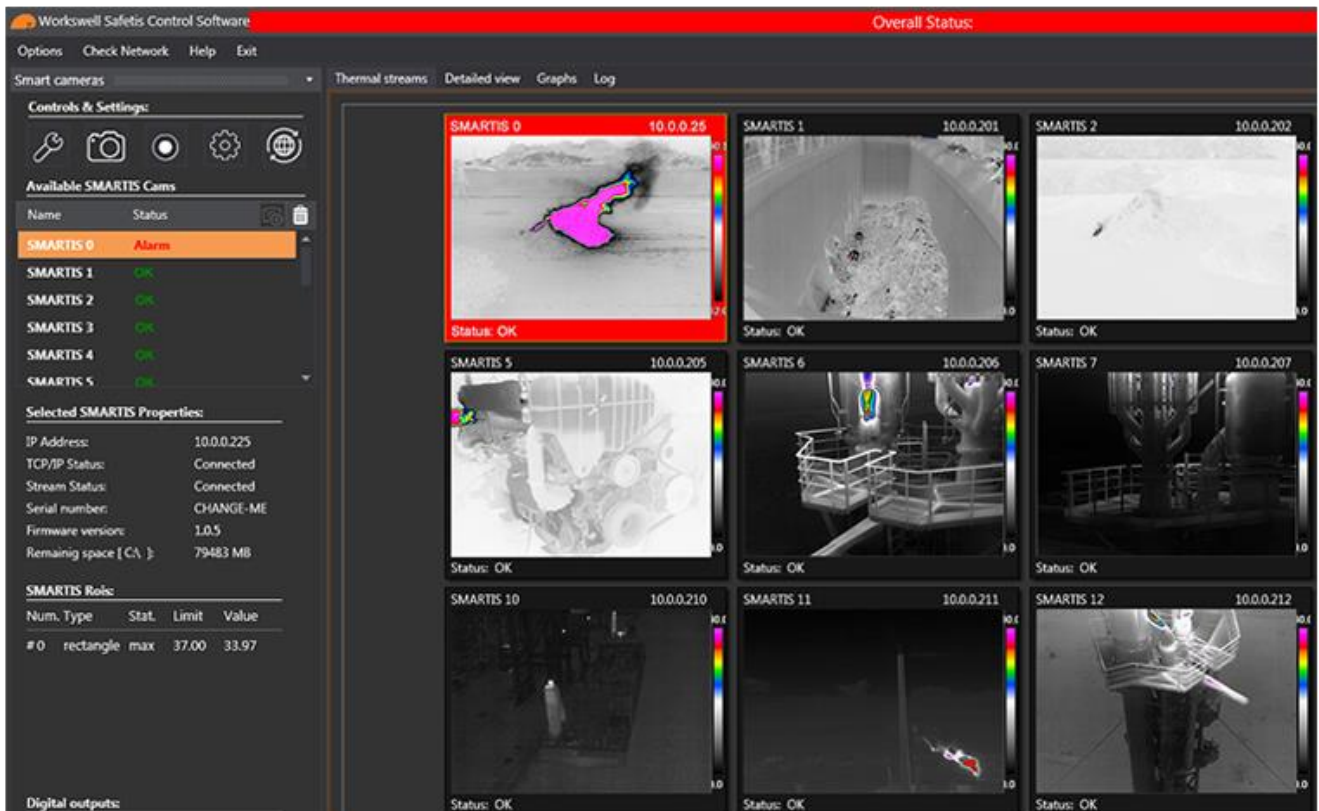
## Graphical evaluation in real-time



SCU displays all SAFETIS cameras as a live thermal streams in real time in tile view. In case of need any SU could be viewed in detailed window for particular monitoring including visualization of all ROI. SCU offers also **live graphs** of maximal temperatures in time of all SU. Application events log is also available where all the alarms are listed, connections, disconnections or logins with exact date and time.

## Alarm visualization and digital output control

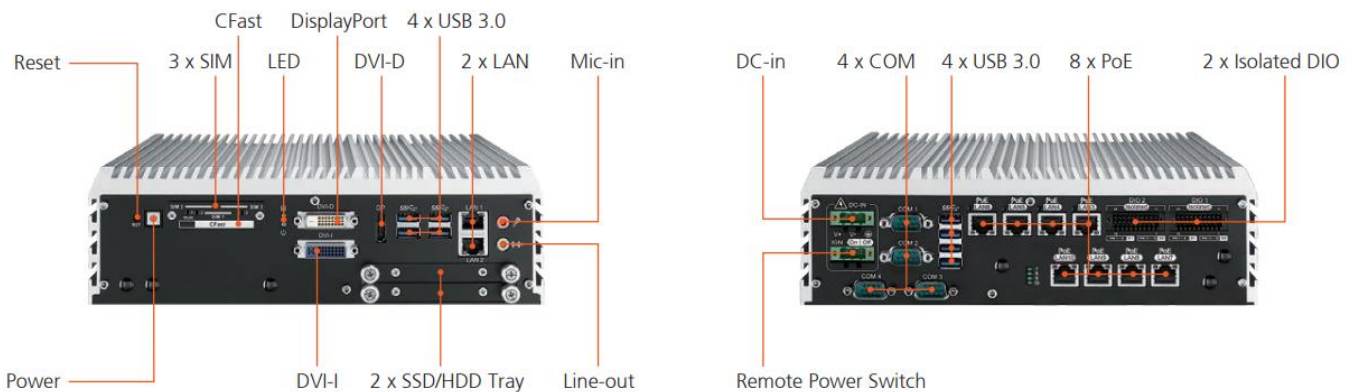
Thermal imaging with SAFETIS products is very important and practical method how to detect the fire hazard before it even starts by monitoring critical areas and temperatures. SAFETIS products can monitor each area and ROI in real-time, **check with ADVANCED features to avoid false alarms** and if the limit is exceed, software shows the alarm on the screen and activate the digital. Digital outputs can be set for each camera and each ROI if needed. SCU also offers an option of sound **signalization as an acoustic alarm**.





# Technical specification – SAFETIS CONTROL UNIT

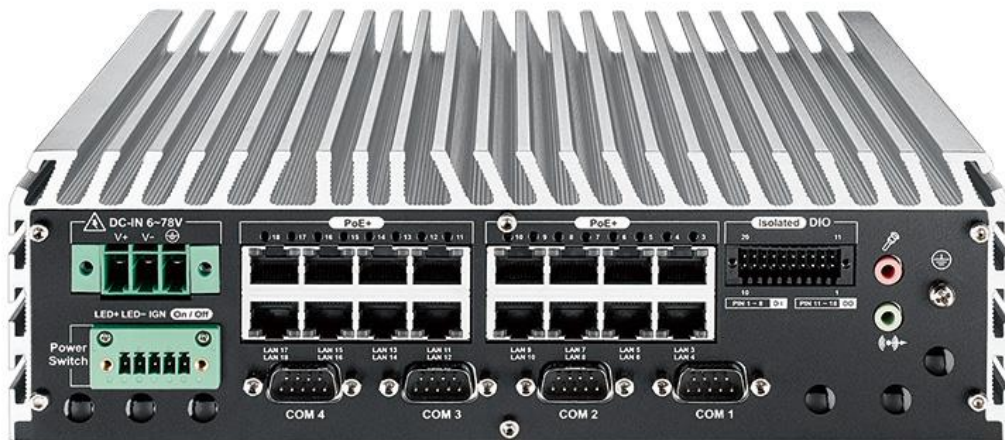
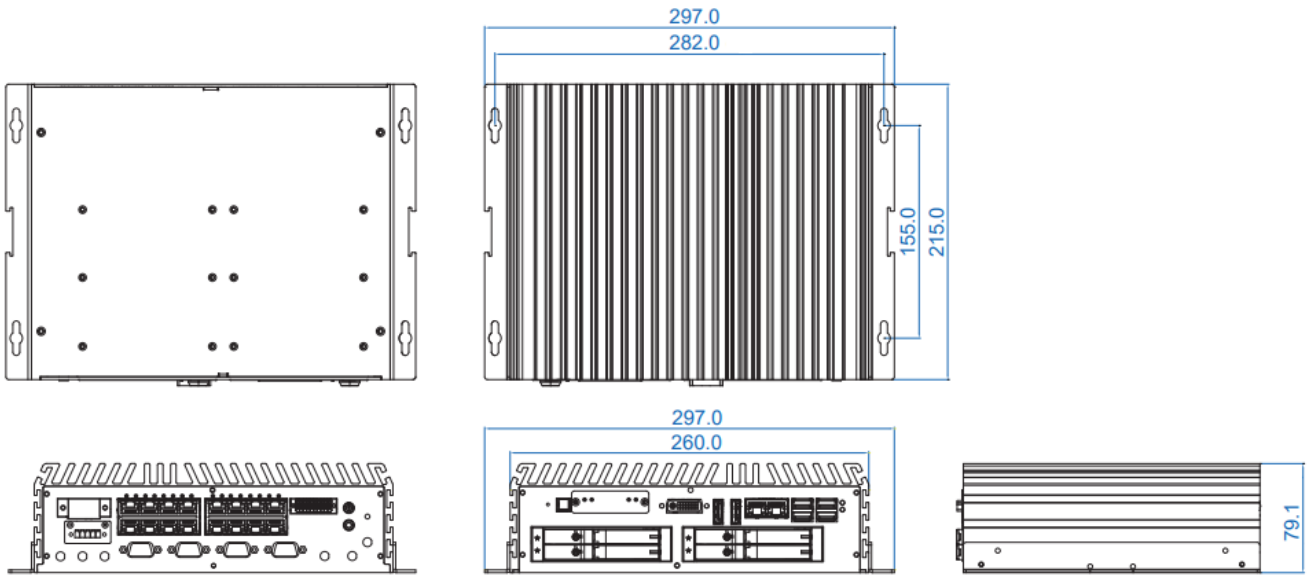
General information	
Up to 16 SAFETIS cameras can be connected (2 versions available, up to 8 or up to 16 cameras)	
High performance Quad Core industrial control unit with preinstalled SAFETIS Software	
Fan-less, Plug and Play system for easy DIN-RAIL and Rack installation	
System	
Processor	Intel® Quad Core i7-6820EQ/i5-6440EQ Processor (Skylake-H)
Chipset	Intel® CM236
Memory	16GB DDR4
Camera and Display/Monitor connection	
SAFETIS camera communication	8 or 16 independent ETH RJ45 LAN ports
Display/Monitor interface	DVI-D : Up to 1920 x 1200 @ 60Hz DisplayPort 1 : Up to 4096 x 2304 @ 60Hz DisplayPort 2 : Up to 4096 x 2304 @ 60Hz
PT (Pan Tilt control) and Alarm interface	
Serial	4 COM RS-232/422/485
Ethernet	2 ETH LAN RJ45 connectors
Digital Outputs	8 Isolated Digital Alarm outputs
Additional functions	
DVR recording	4 TRAY slots for easy disk changing (max 4 x 2TB)
Remote control	Remote power and reset switch
Audio Interface	Realtek ALC892, 5.1 Channel HD Audio 1 Line-out



<b>SAFETIS CONTROL UNIT – main software functions</b>	
<b>Camera configuration</b>	Camera is completely configured via SAFETIS Control software that is preinstalled on SAFETIS Control Unit
<b>Number of cameras</b>	Up to 16 cameras connected to single SAFETIS Control unit
<b>Monitoring and alarming</b>	Advanced analytics functions, Extreme detection, MAX/MIN evaluation, Dynamic/Static measurements, User Control Table (Logical rules for PLC connection), Selectable digital outputs for specific ROI measurement analysis
<b>Advanced analytics functions</b>	Yes, eliminating of non-alarm triggers, eliminating of moving objects etc.
<b>Graphical alarm visualization</b>	Yes
<b>Recording</b>	Pre-alarm recording function allows to start recording before the alarms appear
<b>Image recording</b>	Yes
<b>Fully radiometric recording</b>	Yes
<b>Logging</b>	Yes
<b>Visualization</b>	Real-time video streaming from up to 16 cameras, Pallet settings, Overlay elements, Digital zooming, Numeric and statistical indicators
<b>Visualization on desktop</b>	Visualization can be reorganized according to customer wish
<b>Graphs visualization from ROI</b>	Yes,
<b>ROI</b>	User definable measurement area (Point, Line, Polyline, Rect., Polygon, Circle)
<b>Digital outputs</b>	8 digital outputs on SAFETIS Control unit, 7 digital outputs on each connected SAFETIS camera to the SCU simultaneously
<b>Power</b>	
<b>Power Input</b>	6V to 78V, DC-in
<b>Power Interface</b>	3-pin Terminal Block : V+, V-, Frame Ground
<b>Surge Protection</b>	Up to 200V/1ms Transient Power
<b>Mechanical</b>	
<b>Dimensions (W x L x H)</b>	260mm x 215mm x 79mm
<b>Weight</b>	4.5 kg (9.92 lb)
<b>Mounting</b>	DIN-Rail or Rack mounting bracket
<b>Environment</b>	
<b>Operating Temperature</b>	-25°C to 70°C
<b>Storage Temperature</b>	-40°C to 85°C
<b>Humidity</b>	95% @ 70°C
<b>Vibration</b>	IEC 60068-2-64; SSD : 5Grms, 5Hz to 500Hz, 3 Axis
<b>Certification</b>	CE, FCC, EN50155, EN50121-3-2



## Dimensions (in millimetres)





## Contacts

### Sales Department

**Mobile:** +420 725 955 464  
**E-mail:** [sales@workswell.eu](mailto:sales@workswell.eu)

### Company contact details

**Mobile:** +420 725 877 063  
**E-mail:** [info@workswell.eu](mailto:info@workswell.eu)

**Web:** [www.workswell.eu](http://www.workswell.eu)

### Headquarters

Workswell s.r.o.  
U Albrechtova vrchu 12  
155 00, Prague 13  
Czech Republic

### Partners Worldwide

Visit our [partner list online](#)

